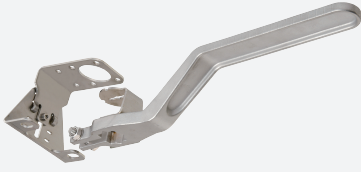


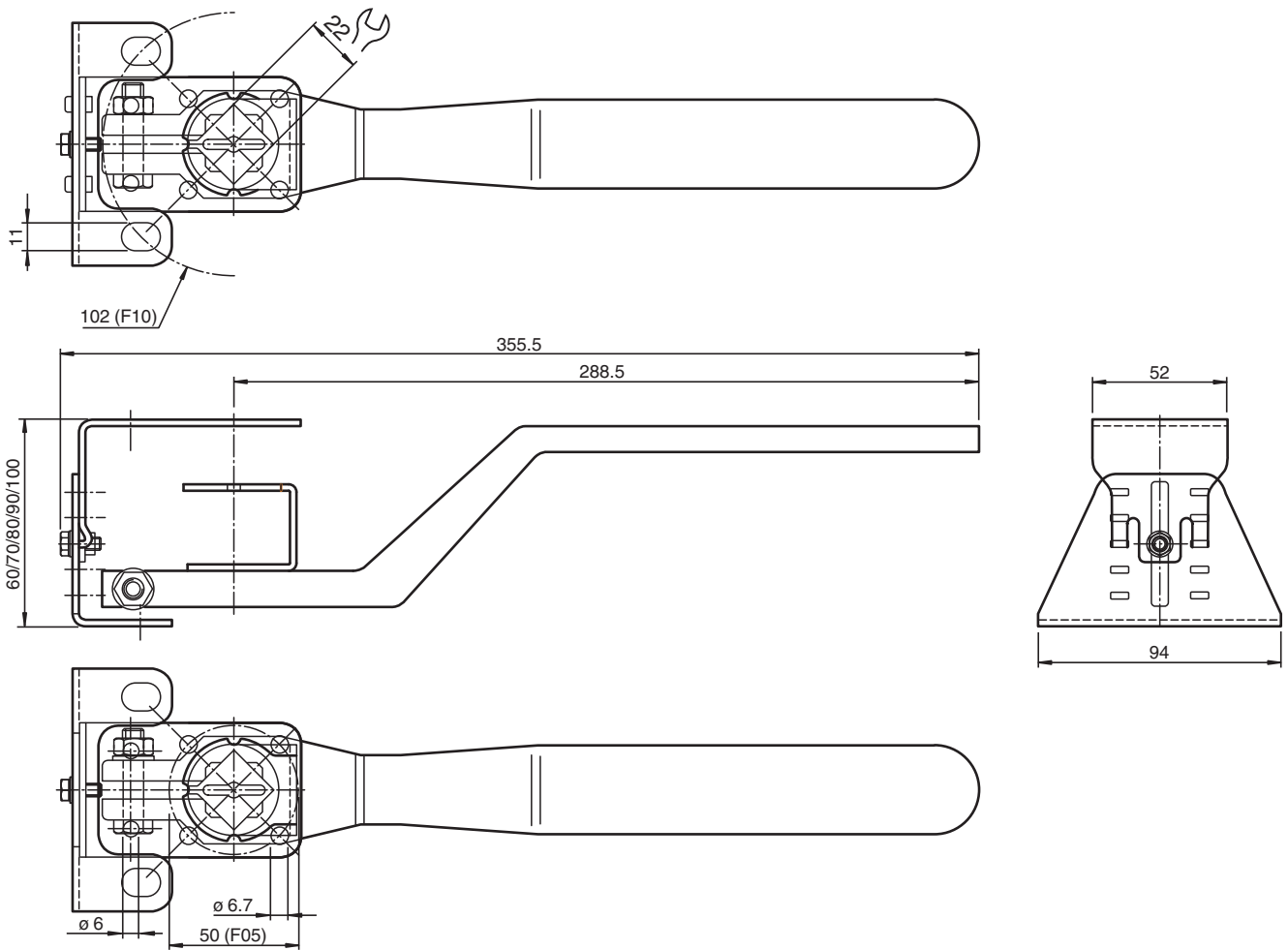
Mounting set MHV-BT-F10-G22



- Simple mounting
- No hole required in drive shaft
- Hand lever included
- All-in-one stainless steel solution
- Conforming to standards
- Adjustable in height

Adjustable assembly set for sizes F10 manual operated valves according to EN ISO5211, ISO5211, square shaft G= 22 mm, minimum height 24 mm

Dimensions



Technical Data

General specifications

Release date: 2021-12-01 Date of issue: 2021-12-01 Filename: 70131304_eng.pdf

Refer to "General Notes Relating to Pepperl+Fuchs Product Information".

Pepperl+Fuchs Group
www.pepperl-fuchs.com

USA: +1 330 486 0001
fa-info@us.pepperl-fuchs.com

Germany: +49 621 776 1111
fa-info@de.pepperl-fuchs.com



Singapore: +65 6779 9091
fa-info@sg.pepperl-fuchs.com

PF PEPPERL+FUCHS

Technical Data

| | |
|----------------------------------|---|
| Suitable sensors and | Double sensors, -F25 series with actuator BT32... Double sensors, -F25K series with actuator BT32... Double sensors, -F31 series with actuator BT65... Double sensors, -F31K series with actuator BT65... Double sensors, -F31K2 series with actuator BT65... |
| Standard conformity | |
| Standards | DIN EN ISO 5211 / DIN 3337 |
| Mechanical specifications | |
| Material | stainless steel 1.4301 / AISI 304 for plates and sheet metal bending parts Stainless steel 1.4305 / AISI 303 for shaft Stainless steel 1.4408 / AISI 316 for handle |
| Mass | 1110 g |
| General information | |
| Note | For the mounting set, an adapter plate and depending on this, and further accessories must be ordered. |

Matching System Components

| | | |
|---|--------------------------|---|
|  | MHV-BT-F25/F31 | Adapter plate for double sensors -F25/-F31 series |
|  | MHV-BT-F31K/F31K2 | Adapter plate for double sensors F31K/-F31K2 series |

Release date: 2021-12-01 Date of issue: 2021-12-01 Filename: 70131304_eng.pdf